



# WV3 HEAT VALVE

---



---

## Reliable 3-way regulating valve for hot water systems

### Highlights

- Overload protector
- Manual operation

The Senmatic WV3 heat valve is a 3-way regulating valve for controlling hot water heating systems. WV3 is made to meet the special requirements of heat regulation in greenhouses and with special emphasis on reliability.

WV3 has a reliable electric motor which can be supplied with connection for 24 or 220/240 V. The end-stop is designed in such a way that it also functions as overload protector.

This means that breakdowns can be avoided in case the cone is jammed by foreign bodies in the water, for example iron scales. If the power fails, the valve can be controlled by a simple manual operation.

### Supplied as threaded or flanged valves

WV3 can be supplied in standard sizes as threaded valves with dimensions 15, 20, 25, 32, 40 and 50 mm, and flanged valves with dimensions 32, 40, 50, 65, 80, 100, 125 and 150 mm. All counter flanges conform to DIN 2633.

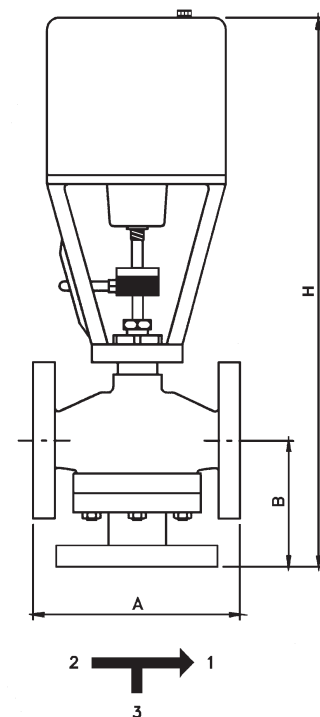


## SPECIFICATIONS / WV3 HEAT VALVE

### Parameter

Supply voltage	All heat valves are supplied with 24 or 230 V AC
Leakage current	0.1 % of Kv
Material flanged valves	Cast iron, pressure stage TN 10
Material Threaded valves	Bronze, pressure stage TN 10
Packing	O-ring (Viton and self-adjustin teflon)

Type	Dimensions (mm)	Dimensions (mm)			Kv	Pmax. mVS
		A	B	H		
WV3 - 15*)	15	70	55	448	2.7	100
WV3 - 20*)	20	80	55	448	5.6	100
WV3 - 25*)	25	90	55	448	10	100
WV3 - 32*)	32	115	62	455	16	93
WV3 - 32	32	180	130	523	16	93
WV3 - 40*)	40	130	65	458	27	60
WV3 - 40	40	200	130	523	27	60
WV3 - 50*)	50	160	67	460	39	38
WV3 - 50	50	230	115	508	39	38
WV3 - 70	70	290	145	538	63	39
WV3 - 80	80	310	155	548	100	26
WV3 - 100	100	350	175	568	160	18
WV3 - 125	125	400	200	593	215	15
WV3 - 150	150	480	240	633	310	15
WV3 - 200	200	600	300	693	550	15



\*) Threaded valve - the rest are flanged valves

### Distributor:

### Head office:

Senmatic A/S  
 Industrivej 8, 5471 Sønderød, Denmark  
 Phone: +45 64 89 22 11  
 dgtsales@senmatic.com – www.senmatic.com