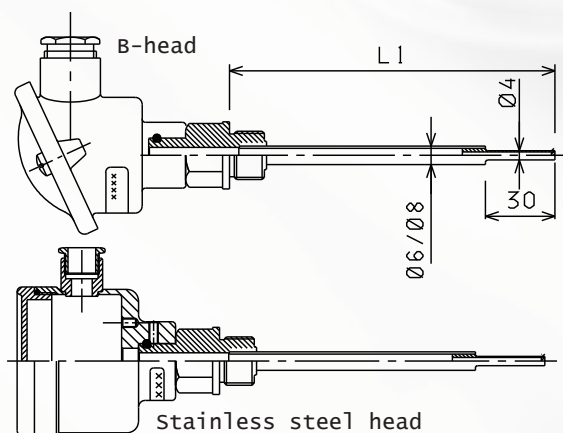


Resistance thermometer TYPE HR

 Process Industry

Reduced imm. length, for fast response time

- Threaded thermometer for measurement of temperatures where a fast response time is requested.
- Measuring insert according to EN 60751.
- Protective sheath, Form B, DIN 43763, of $\varnothing 6 \times 1.5$ mm stainless steel, AISI 316L.
- Standard without extension length. Extension length $\varnothing 12$.
- Connection NONE, nipple, union nut or clamp.
- Form B connection head according to DIN 43729 of light-alloy, protection IP65, cable gland M20x1.5.
- Response time (mean values) measured at velocities in:
water at 0.4 m/s: $\tau_{0.5} = 2$ sec.
air at 3.0 m/s: $\tau_{0.5} = 24$ sec.
- Recommended measuring current: max. 2 mA.



Ordering: See ordering form on back page

